



32cd Low-intensity Obstruction Light with Photocell & Flasher 115VAC - ICAO Type B. FAA L-810.

CEL-LI-32-115-PCFL - LED Aircraft Warning Light

Key features

- Based on LED technology
- Extremely reliable - long lifetime
- Suitable for off-shore use
- Very low power consumption
- 115V_{AC} nominal operating voltage
- Stabilised light output
- Lightweight and small - low wind load factor
- Easy to install, several mounting sets available
- Two cable glands, easy to chain without external terminal boxes
- No RF-radiations
- Five (5) year warranty
- Patented

Benefits

- Long maintenance intervals
- Low energy cost
- Supply power voltage variations do not affect light output
- Very low total lifetime costs
- Low wind load

Specifications met

- ICAO International Standards and Recommended Practices:
Aerodromes - Annex 14 Volume 1, 5th Edition, July 2009,
Chapter 6: Low-intensity, Type B Fixed Obstacle Light
- FAA Advisory Circular 150/5345-43F 09/12/06 L-810 Light Unit

Optical characteristics

- Intensity better than 32cd
- Colour aviation red
- Horizontal radiation pattern 360°
- Vertical radiation pattern 15°
- LED supply current stabilised by constant current generator
- Light output degradation less than 30% after 100.000hrs of operation

Electrical characteristics

- Nominal operating voltage 115V_{AC}
- Power consumption less than 4VA, 4W
- Operating voltage range 105 to 125 V_{AC}
- Over-voltage protection

Mechanical characteristics

- Anodised marine grade aluminium body and end part
- AISI 316 acid proof steel screws
- Colourless (clear) glass cover
- Terminal box for 1, 5 - 6mm² wires
- Degree of protection IP65
- Operating temperature range -55° to +70°C
- Height 210mm, diameter 104mm, weight 1.1kg
- Wind load with CEL-MS-EV60 mounting kit @ 200km/h less than 40N

Options

- Mounting kits
- Light unit without Photocell & Flasher: CEL-LI-32-115-F

Order Code: CEL-LI-32-115-PCFL



CEL-LI-32-115-PCFL Led obstacle light

Photocell characteristics

- Turn on delay 1 s
- Turn off delay 200 s
- User selectable photocell sensitivity (bold = factory default)
OFF / 200 lux / 400 lux / **800 lux**

Flash controller characteristics

- User selectable flashing rate (bold = factory default)
Steady burning / 20fpm / 40fpm / 60fpm
- 250ms flash duration

T: +44 (0)20 8540 1034
F: +44 (0)20 8543 3058
E: info@contarnex.com

Contarnex Europe Limited
252 Martin Way,
Morden, Surrey SM4 4AW
United Kingdom



32cd Low-intensity Obstruction Light with Photocell & Flasher 115VAC - ICAO Type B. FAA L-810.

CEL-LI-32-115-PCFL - LED Aircraft Warning Light

ELECTRICAL INSTALLATION INSTRUCTIONS

CEL-LI-32-115-PCFL has two cable glands for easy chaining without external distribution boxes

CEL-LI-32-115-PCFL is an obstacle light utilising LED technology. The cabling and installation principles are similar to those of conventional obstacle lights.

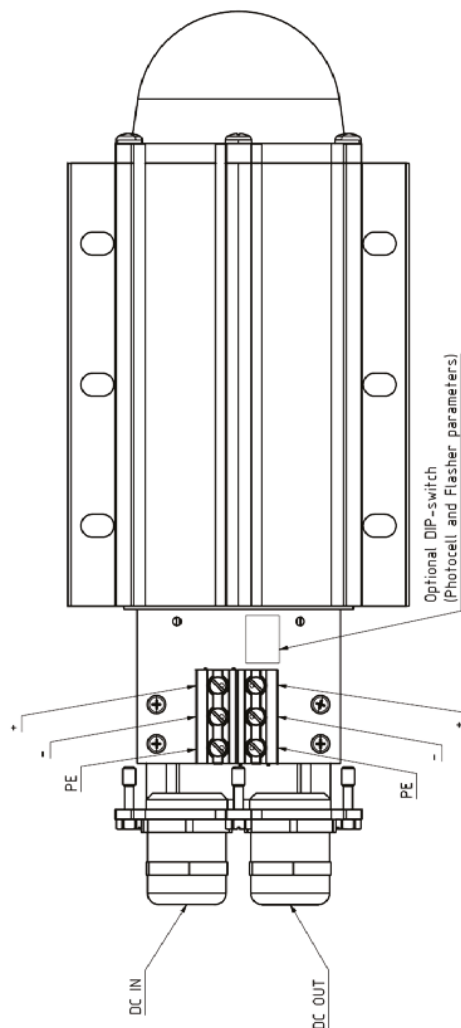
Connection can be protected with a 6A or 10A fuse or with a circuit breaker (C curve).

Installation specifications

- Cable gland: M25
- Cable diameter: 6 to 17mm
- Wire diameter: max. 6mm²
- Recommended cable: 3x1.5 mm² or 3x2.5mm²

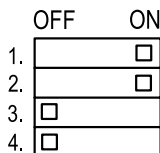
Options

- **CGS-20:** Smaller cable glands
Set include 2 pcs M20 cable glands with M25-M20 adapters for 7-13 mm cables



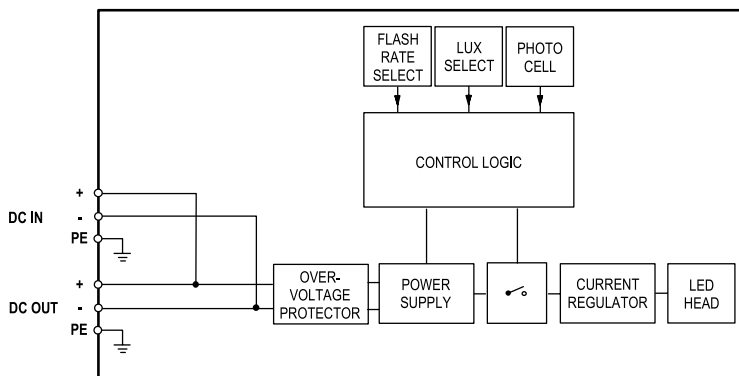
PCFL DIP switches

DIP1	DIP2	PHOTOCELL	DIP3	DIP4	FLASH RATE
OFF	OFF	OFF (light always ON)	OFF	OFF	STEADY BURNING
ON	OFF	200 lux	ON	OFF	20 fpm
OFF	ON	400 lux	OFF	ON	40 fpm
ON	ON	800 lux	ON	ON	60 fpm



**Default DIP settings:
800 lux, steady burning**

Flash duration: 250 ms

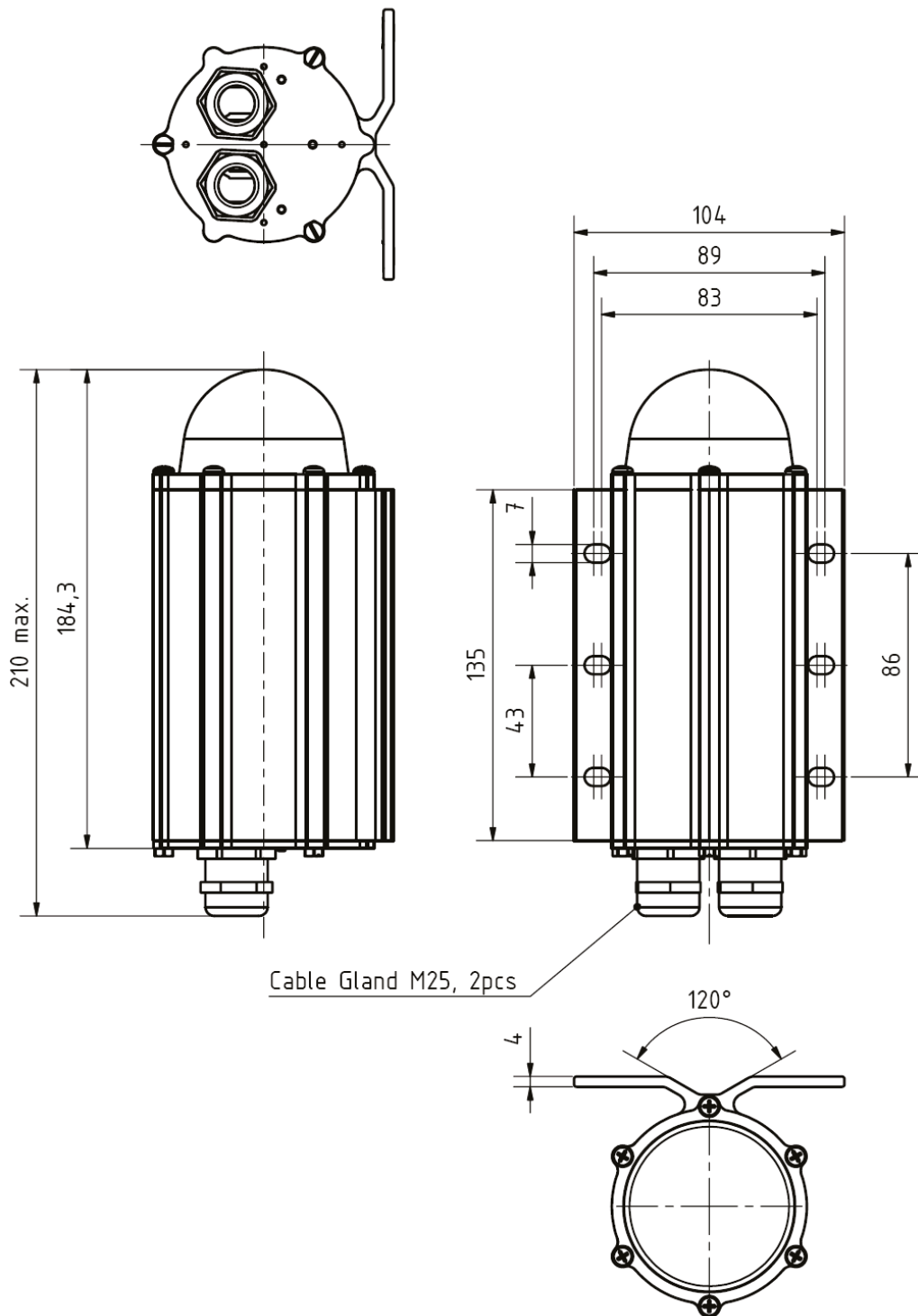


LI-32-DCW-PCFL block diagram

32cd Low-intensity Obstruction Light with Photocell & Flasher 115VAC - ICAO Type B. FAA L-810.

CEL-LI-32-115-PCFL - LED Aircraft Warning Light

Mechanical dimensions



32cd Low-intensity Obstruction Light with Photocell & Flasher 115VAC - ICAO Type B. FAA L-810.

CEL-LI-32-115-PCFL - LED Aircraft Warning Light

There are several types of mounting sets available as option:

CEL-MS-HV80

Mounting set for 33-80mm vertical or horizontal pipe

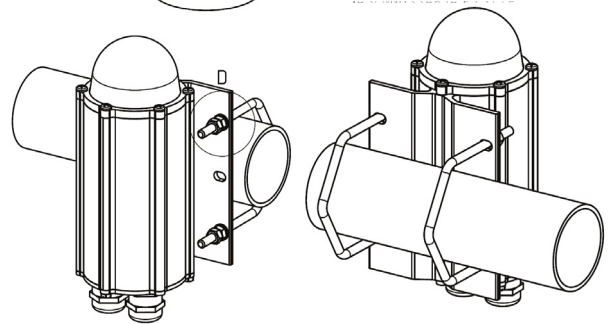
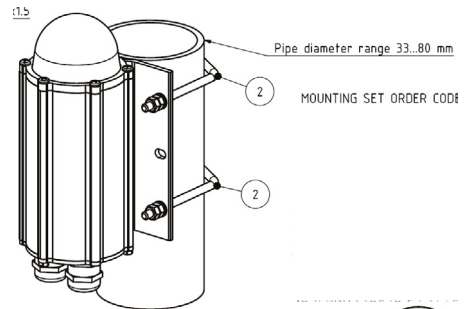
Mounting set include:

- 2 pcs M6 U-bolt
- 8 pcs M6 hex nut
- 4 pcs 6/12 mm washer

All parts AISI 316 acid proof steel

More detailed mechanical data: CEL-MS-HV80 datasheet

Order Code: **CEL-MS-HV80**



CEL-MS-EV60

Mounting set with extension plate for 30-60mm vertical pipe installation

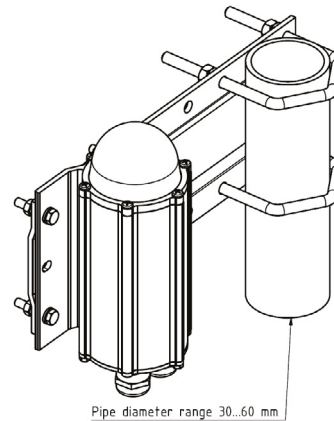
Mounting set include:

- 2 pcs M8 U-bolt, 8 pcs M8 hex nut
- 4 pcs M6x30 bolt, 8 pcs M6 hex nut, 4 pcs 6/12 washer
- 1 pcs extension plate

Extension plate marine grade anodised aluminium, other parts AISI 316 acid proof steel

More detailed mechanical data: CEL-MS-EV60 datasheet

Order Code: **CEL-MS-EV60**



CEL-MS-EV100:

Mounting set with extension plate for 60-100mm vertical pipe installation

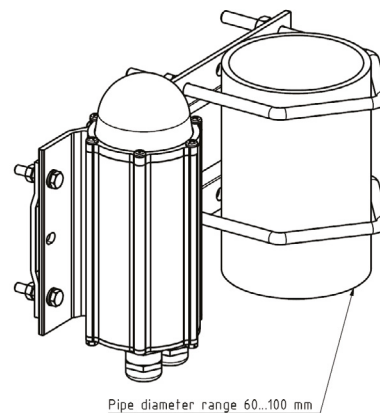
Mounting set include:

- 2 pcs M8 U-bolt, 8 pcs M8 hex nut
- 4 pcs M6x30 bolt, 8 pcs M6 hex nut, 4 pcs 6/12 washer
- 1 pcs extension plate

Extension plate marine grade anodised aluminium, other parts AISI 316 acid proof steel

More detailed mechanical data: CEL-MS-EV100 datasheet

Order Code: **CEL-MS-EV100**



32cd Low-intensity Obstruction Light with Photocell & Flasher 115VAC - ICAO Type B. FAA L-810.

CEL-LI-32-115-PCFL - LED Aircraft Warning Light

CEL-MS-EV150:

Mounting set with extension plate for 100-150mm vertical pipe installation

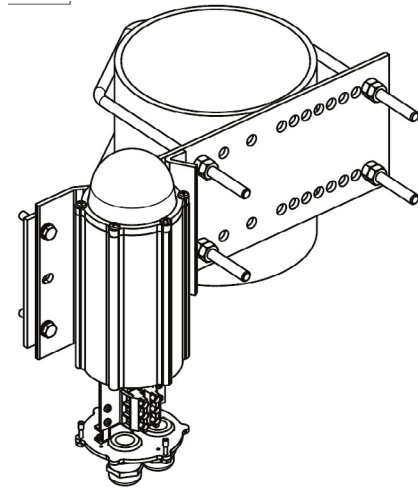
Mounting set include:

- 2 pcs M8 U-bolt, 8 pcs M8 hex nut
- 4 pcs M6x30 bolt, 8 pcs M6 hex nut, 4 pcs 6/12 washer
- 1 pcs extension plate

Extension plate hot dipped galvanised steel, other parts AISI 316 acid proof steel

More detailed mechanical data: CEL-MS-EV150 datasheet

Order Code: **CEL-MS-EV150**



CEL-MS-DEV60:

Double mounting set with extension plate for 30-60mm vertical pipe installation

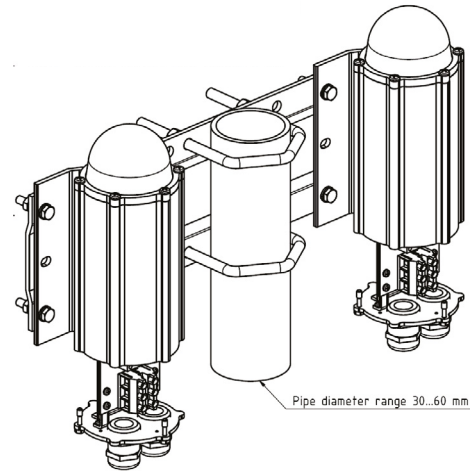
Mounting set include:

- 2 pcs M8 U-bolt, 8 pcs M8 hex nut
- 8 pcs M6x30 bolt, 16 pcs M6 hex nut, 8 pcs 6/12 washer
- 1 pcs extension plate

Extension plate marine grade anodised aluminium, other parts AISI 316 acid proof steel

More detailed mechanical data: CEL-MS-DEV60 datasheet

Order Code: **CEL-MS-DEV60**



CEL-MS-DEV100:

Double mounting set with extension plate for 60-100mm vertical pipe installation

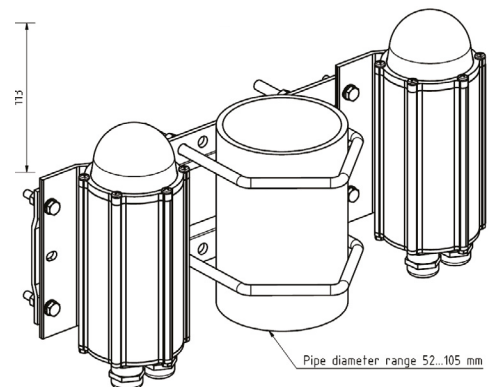
Mounting set include:

- 2 pcs M8 U-bolt, 8 pcs M8 hex nut
- 8 pcs M6x30 bolt, 16 pcs M6 hex nut, 8 pcs 6/12 washer
- 1 pcs extension plate

Extension plate marine grade anodised aluminium, other parts AISI 316 acid proof steel

More detailed mechanical data: CEL-MS-DEV100 datasheet

Order Code: **CEL-MS-DEV100**



32cd Low-intensity Obstruction Light with Photocell & Flasher 115VAC - ICAO Type B. FAA L-810.

CEL-LI-32-115-PCFL - LED Aircraft Warning Light

CEL-MS-RW

Mounting set for horizontal plate or wall installation

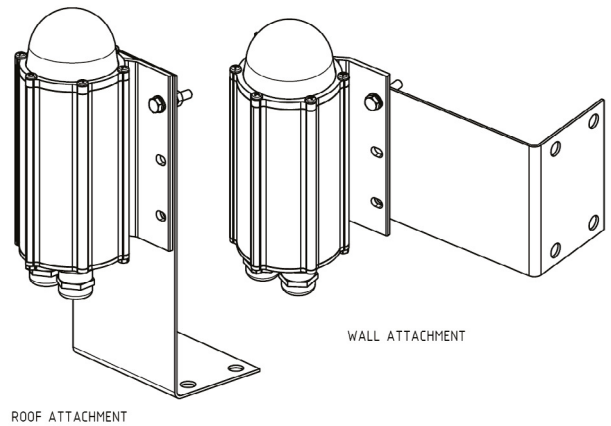
Mounting set include:

- 4 pcs M6x30 bolt, 8 pcs M6 hex nut, 4 pcs 6/12 washer
- 1 pcs L-shape 2mm plate

All parts AISI 316 acid proof steel

More detailed mechanical data: CEL-MS-RW datasheet

Order Code: **CEL-MS-RW**



CEL-MS-LVU

Mounting set for L and V -shape profiles

Mounting set include:

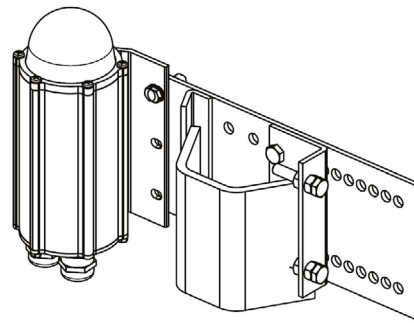
- 1 set accessories for light unit fitting to plate
- 1 pcs extension plate with adjusting plate and accessories

Extension plate hot dip galvanized steel, other parts AISI 316 acid proof steel

More detailed mechanical data: CEL-MS-LVU datasheet

Order Code: **CEL-MS-LVU** (with galvanized extension plate)

CEL-MS-LVA (with AISI 316 extension plate)



CEL-MS-N1B

Mounting set for 1" NPT at bottom

More detailed mechanical dimensions: CEL-MS-N1B dataheet

Order Code: **CEL-MS-N1B**

